

Pipe and Drape Road Case

Features

- Holds both Pipe and Drape (Uprights, Bases, Drape Supports and Drape) Inclusive Road Case with moveable dividers
- Available in 7ft, 8ft or 9ft lengths
- ATA Style

• Heavy ball corners

• Flush mount trigger latches release wooden ½" plywood storage lid

• Nylon webbing lid stay

• Custom cut foam dividers for pipe

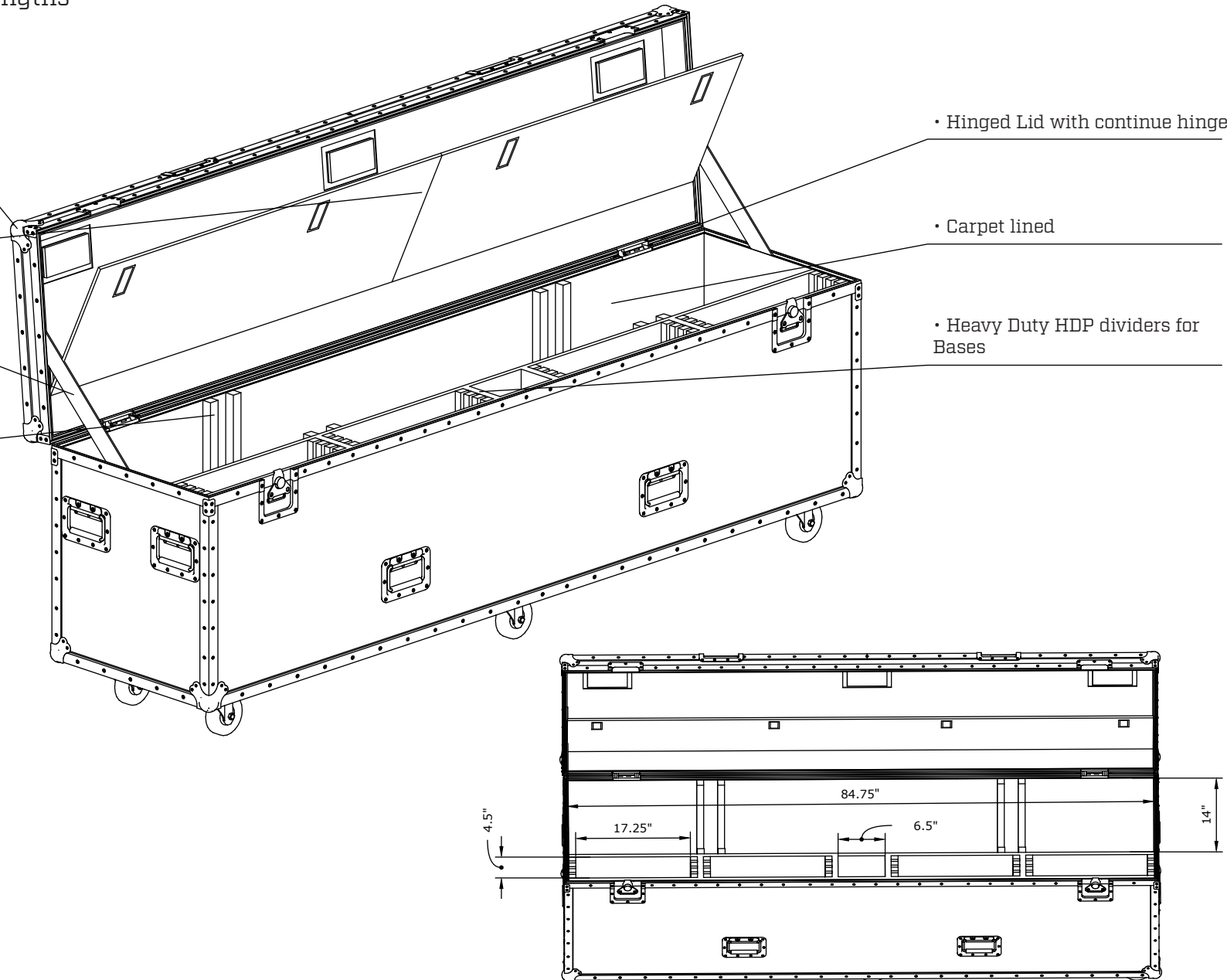
• Hinged Lid with continue hinge

• Carpet lined

• Heavy Duty HDP dividers for Bases

Capacities

Uprights: 12
18" x 18" Bases: 12
Drape Supports: 11
Drape Panels: 33



Pipe and Drape Road Case

- Steel caster dishes designed for making the cases stackable

- Recessed corner handle (can also be used for ratchet straps)

- Recessed handles with rubber grips, 2 on each side of the case for a total of 8

- Recessed heavy duty twist catch latches

- Extruded aluminum frame

- Outside locking casters

- ABS coated plywood
- ½" plywood with 0.040 in ABS vainer

- 4" swivel polyurethane casters

