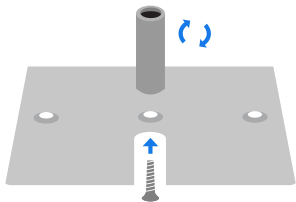
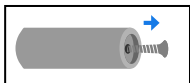
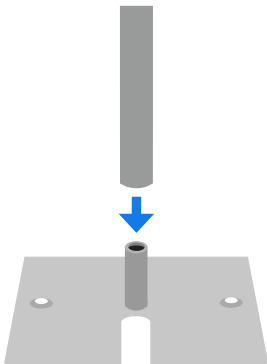


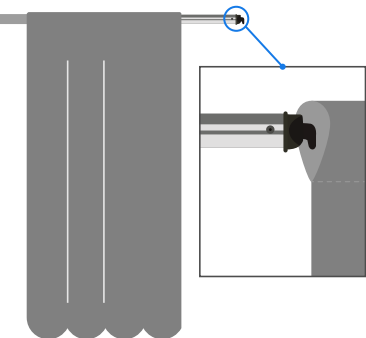
- 1** Remove the screw from the bottom of the pin. Place the screw through the desired pin hole on the base and tighten the pin until secure.



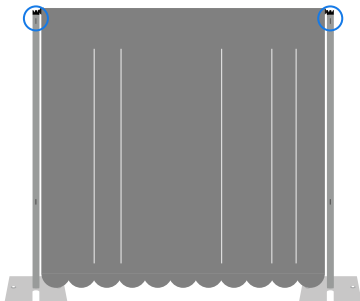
- 2** Place the Upright over the pin.



- 3** String drape onto the Drape Support before hanging.



- 4** Attach each Hook End of the Drape Support to the top of the Upright.



FABRIC:	# OF PANELS (10'W SECTION)
Banjo	4
Poly Premier	3
Poly Stretch™	3
Poly Knit	3
Performance Velour™	3
Sheer Crushed Sheer	4
Commando	3
Duvetyne	3
Crushed Velour	3
Velvet Stretch™	3

Still Need Help?



Watch a full tutorial on how
to set up Pipe & Drape
[@georgiaexpo.com](http://www.georgiaexpo.com)

Contact Us:
800.433.9767
www.georgiaexpo.com