

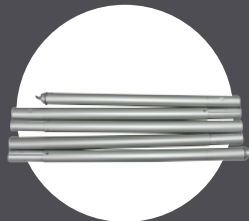
THE EASIEST WAY TO MAKE THE MOST OUT OF YOUR SELLING SPACE

FULL COLOR CUSTOM BACKDROP



COMPONENTS

Best Seller



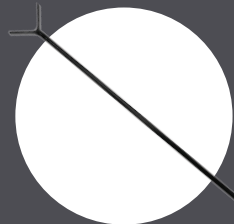
B902 Foldable Drape Support
(3.6 lb)



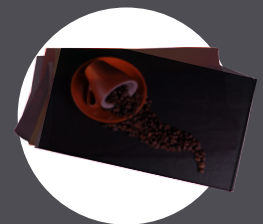
B912C Universal Clamp *(0.2 lb)*



D129 Carry Bag *(0.4 lb)*

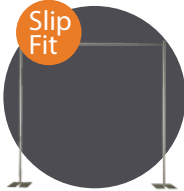


B612 Drape Support Extension Handle
(1.0 lb)

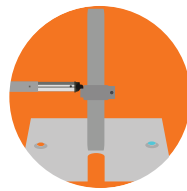


Custom Backdrop
(5.0 lb)

RECOMMENDED UPGRADES



HARDWARE



TAUT OR LOOSE



GROMMETS



HOOK & LOOP

Custom Exhibit Backdrop

Less bulky than easels, pop-ups, table tops, or other large displays, this system makes the most use of a booth. It frees up space for more products and staff, while still ensuring that the advertising or branding is prominently displayed.

- PROFESSIONAL BRANDED LOOK
- EASY STORAGE AND TRANSPORTATION
- QUICK SET UP AND BREAK DOWN
- EXCELLENT PROMOTION TOOL

Dye Sublimation

Dye sublimation is a process that uses heat to transfer dye into fabric to produce a photo quality image that won't wash out. The dye bonds with the polyester fibers rather than being printed onto the fabric (screen printing). Our fabric is 8.5 oz. 100% Polyester fabric 122"W. The fabric is Fire Resistant (California Standards) and wrinkle resistant. The printer prints crisp, permanent, photo-realistic pictures, that will not crack or peel. The fabric is much lighter weight than vinyl, making it easy to transport. It comes standard with 4" pole pockets and is washable.

Still Have Questions? Call 800.433.9767

GUIDELINES

SIZE: Our printing surface area is 96" Wide. We can print any size as long as one of the sides is 96".

COLOR: If you require a specific color Please let us know a PMS# or a panton we can match it to.

FONTS: Convert all text to outlines.

IMAGES: Vector graphics are preferred. Non-vector images, such as photographs, must be at least 300 DPI at final print size. Never use low resolution images; resizing a low resolution image to a larger size will decrease its quality.

DPI: "Dots Per Inch," is a measurement of how much detailed color information a raster image contains. The more DPI your image contains, the more subtle details will be noticeable.

VECTOR: Infinitely scalable edibility and it is a smaller file size that can be emailed.

RASTER: Image as a dot pattern of pixels.

SET UP

Set your file to full size (120" x 96") Check resolution of your file by viewing the graphic at full size (zoom to 100%) on your computer screen. If the image looks unfocused, posterized or pixilated, the resolution is too low. Convert all fonts to outlines embed all graphics into one final file; there should be no links. The best results are achieved in Illustrator with vector based output. Please save the file in one of the following formats and upload to our FTP instructions on page7:

- PDF
- AI
- EPS

**Fabric Shrink/Stretch - The fabric may shrink or stretch about 2%*

IF WE ARE CREATING YOUR ARTWORK

Logos print best in a vector format. If the image must be raster please make sure to be a very high quality.

VECTOR:



RASTER:

**Rasterized at 117dpi*



Still Have Questions? Call 800.433.9767

KIT CONTAINS

HARDWARE:

- 1 Foldable Drape Support
folds to 5 pieces
- 2 Universal Clamps
attaches to any upright

BACKDROP:

- 1 Custom Exhibit Backdrop

COMPONENTS:

- 1 Drape Extension Handle
- 1 Carryall Bag

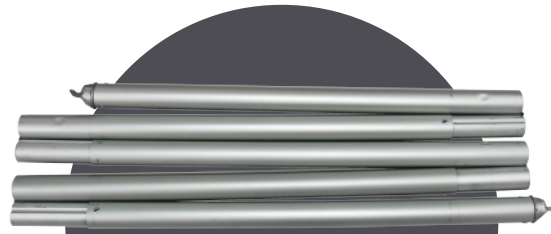
MATERIAL SPECIFICATIONS

FABRIC:

- "Images" Graphic Fabric
- 100% Polyester fabric
- 8.5 Oz.
- Flame Retardant
- Printable Area 96"W
- Fabric Width 122"W
- Photo Realistic
- Wrinkle Free
- Color White
- Light Weight
- Machine Washable

INK PROPERTIES:

- Fast Drying
- 6 Color Palette
- Washable
- Environmentally Friendly
- Vivid Colors



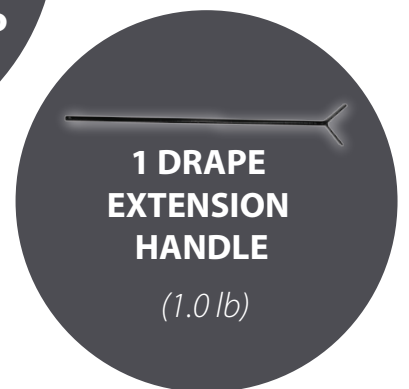
**1 FOLDABLE
DRAPE SUPPORT**
(3.6 lb)



**2 UNIVERSAL
CLAMPS**
(0.2 lb Each)



**1 CUSTOM
EXHIBIT BACKDROP**
(5.0 lb)



**1 DRAPE
EXTENSION
HANDLE**
(1.0 lb)



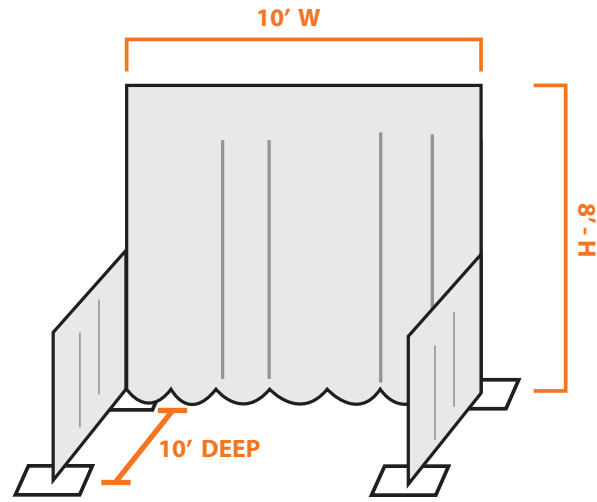
1 CARRY BAG
(0.4 lb)

Still Have Questions? Call 800.433.9767

BOOTH SIZES

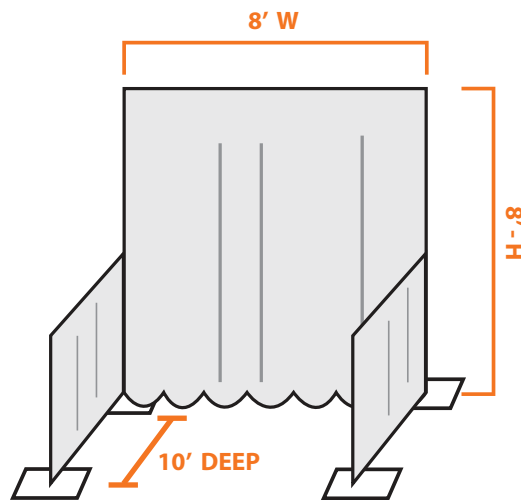
10'L x 10'W x 8'H

Our custom exhibit backdrop kit that allows you to print and display any high-quality image on your own professional, easy to assemble, and portable backdrop.



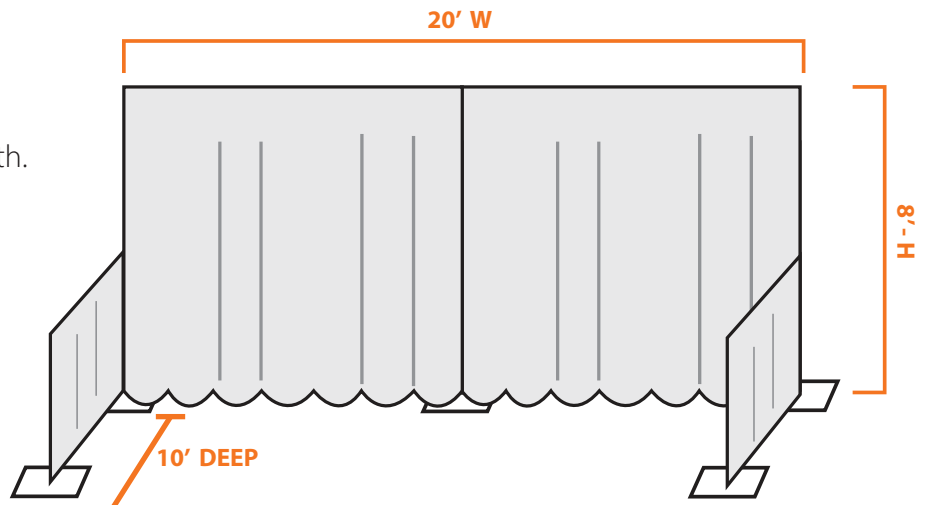
10'L x 8'W x 8'H

We can customize your backdrop to any size booth.



10'L x 20'W x 8'H

Our system works with any booth. See how on our website. www.georgiaexpo.com



Still Have Questions? Call 800.433.9767

HOW IT WORKS

GRAPHICS

Send us your high quality logos & graphics



PROOF

Upon completion we will send you a proof

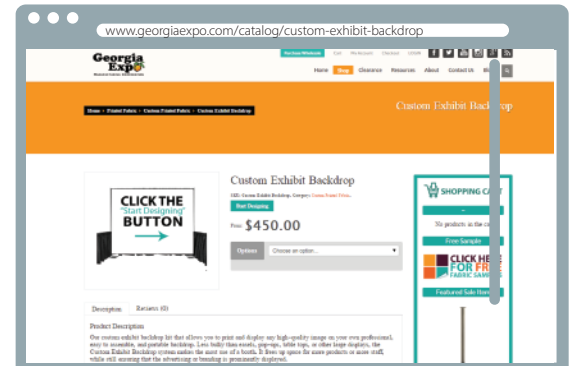


PRINT

We print and send your Custom Exhibit Backdrop

ORDER

Order online at www.georgiaexpo.com or use our FTP service, you can always contact your sales representative at 800.433.9767



www.georgiaexpo.com/catalog/custom-exhibit-backdrop

Still Have Questions? Call 800.433.9767

DYE SUBLIMATION LAYOUT EXAMPLES

*ANY SIZE AVAILABLE, BUT HERE OUR MOST POPULAR

BACKDROPS - Prices are average, all pieces are custom



8'W x 8'H STEP & REPEAT



10'W x 8'H FULL COLOR



TABLE RUNNERS - Prices are average, all pieces are custom

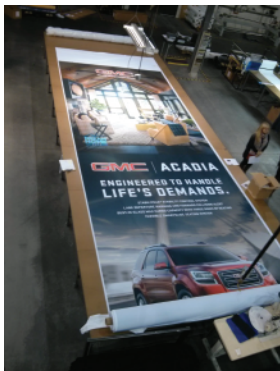


28"W x 80"H LOGO ON WHITE



57"W x 80"H FULL COLOR

CUSTOM - Only limited by your imagination



Still Have Questions? Call 800.433.9767

- 1. Install FTP agent we suggest FileZilla.
<https://filezilla-project.org/download.php?type=client>



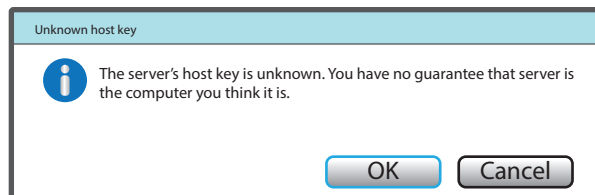
- 2. Open FileZilla program

Host: Username: Password: Port:

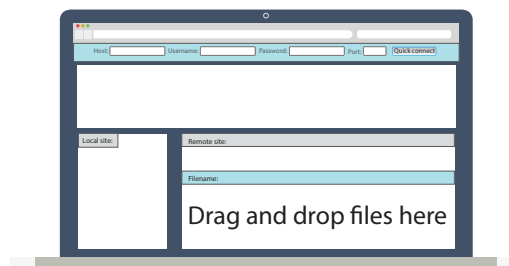
- 3. Copy FTP address (from email) and paste into FileZilla program in the "Host" box.

Host:

- 4. Click "OK" on the message box that pops up



- 5. Drag and drop files to upload to our server



Still Have Questions? Call 800.433.9767